

WORM GEARBOXES

U-R

- 1.0
- 2.0
- 3.0
- 4.0
- 5.0
- 6.0
- 7.0

- Technical characteristics
- Designation
- Gearboxes performances
- Lubrication
- Dimensions
- Mounting Position
- Managing STM Catalog Revision

- A1
- A2
- A4
- A6
- A8
- A12
- A13



US Unit

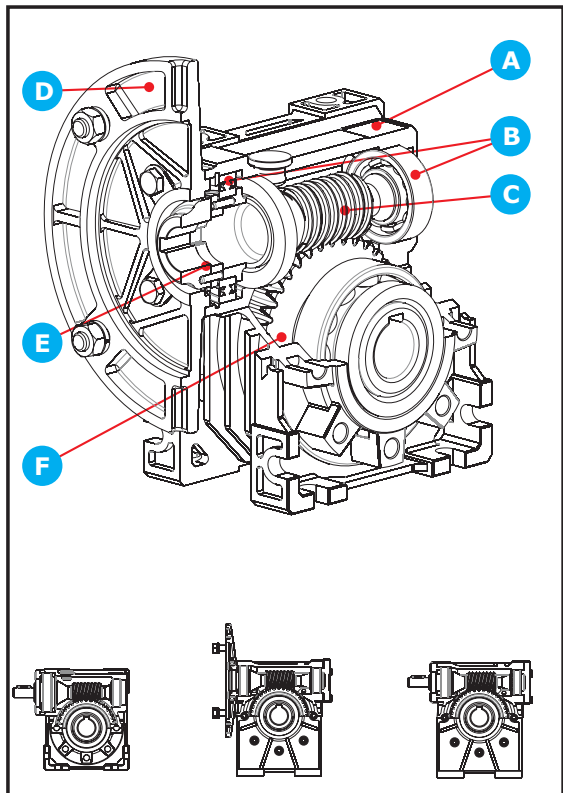
0.0 - General information

This catalog is a supplement to the standard STM metric catalogs. It provides for easy speed reducer/gearmotor selection using North American units (such as horsepower and lb-in).

When evaluating an application, it is recommended that selections look Section A of Metric catalog CT 16 I GB D.

1.0 - Features and benefits - Technical characteristics

US Unit



A.1 - Material - Housing and flanges

U - Housing and flanges of series U are made of aluminium die cast.
R - Housing and flanges of series R are made of grey die cast.

A.2 - Painting - Housing and flanges

U - Housing and flanges of series U sizes 40-50 are made without painting.
Sizes 63-75-90-110 are painting.

R - Housing and flanges of series R sizes 130-150-180 are painting.

Painting features

The features of the paint used are the following:
thermosetting powder-coating based on polyester resins, modified with epoxy resins.

Powered coating RAL 5010.

B - Bearings

To guarantee a long life, taper roller bearing or radial ball bearings are used.

Sized for maximum bearing life, ensures mechanical efficiency, and provides maximum overhung load capacity.

C - Worm

Steel Wormshaft is casehardened and ground.
Increases durability for gearing versus forged worm shafts
ZI Profiled thread grinding better contact improves performance and reduces noise.

D - Input version

Are available version with shaft UI - RI and version with motor flange UMI-RMI.

E - Connecting motor

UMI - are made with STEEL coupling connection between electric motor and gearboxes.
RMI - are made without coupling.

F - Worm wheel

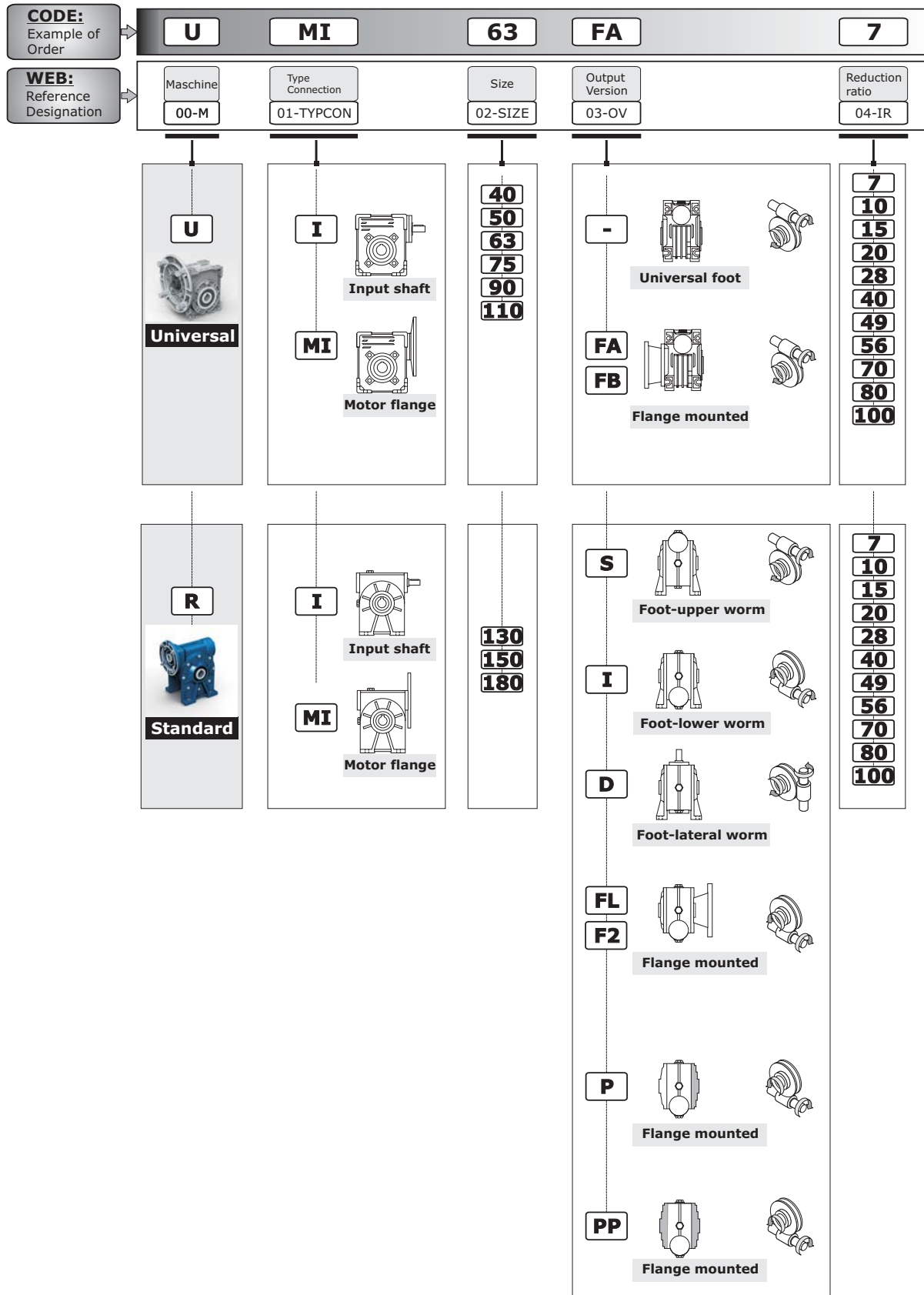
Worm wheel from shell cast high strength phosphor bronze.
Shell cast makes worm wheel more durable and reliable.

G - Oil

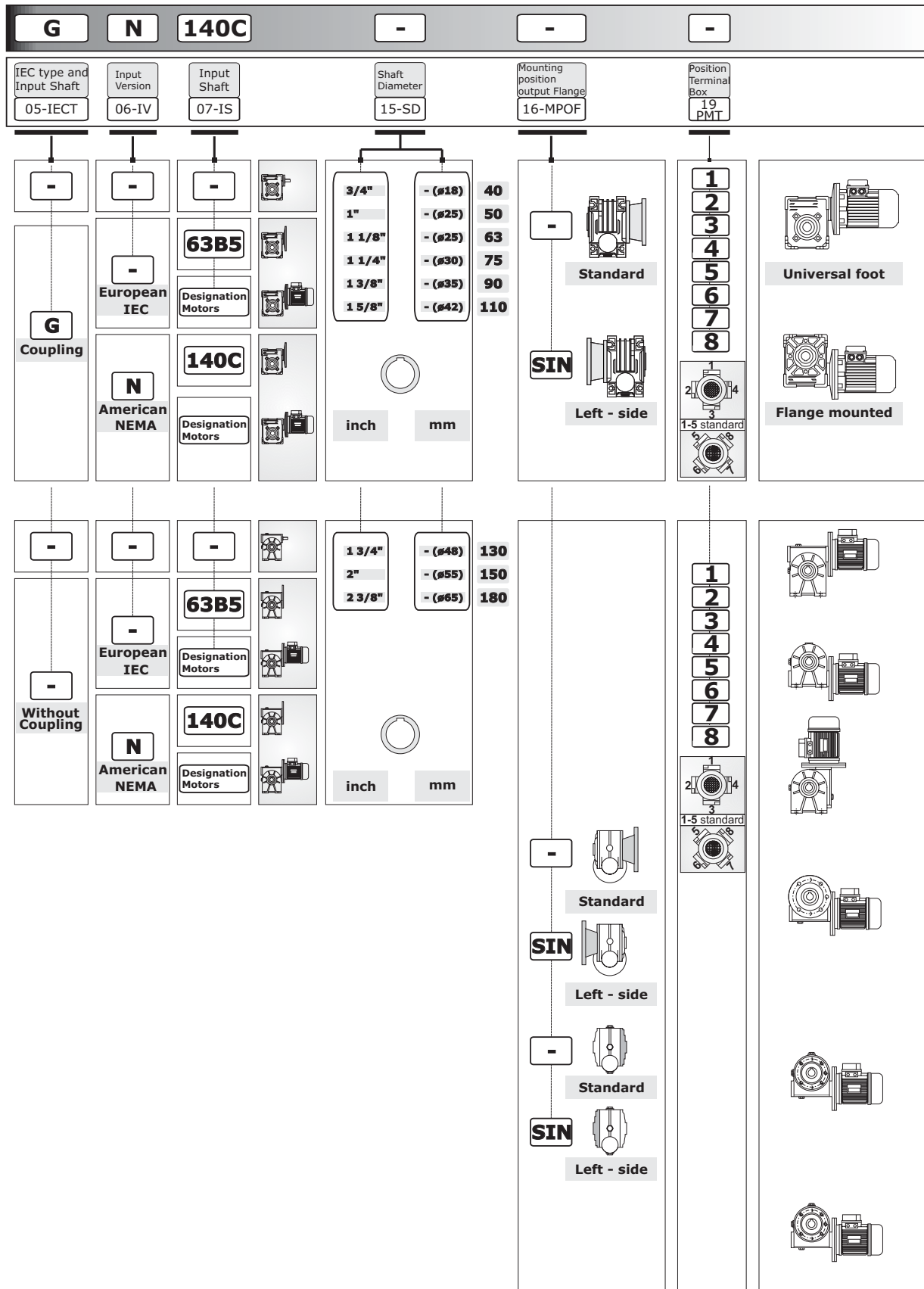
U - Worm gearboxes sizes 40, 50, 63, 75, 90, 110 come supplied with synthetic oil OMALA S4 WE ISO 320 viscosity.

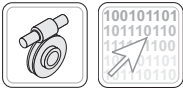
R - Size 130, 150, 180 worm gearboxes require oil lubrication but are supplied without lubricant that can be requested separately.

2.0 - Designation



2.0 - Designation





3.0 - Measurement Units and Conversion

Term	Symbol	US Unit		Metric Unit		US to Metric conversion
		Description	Unit	Description	Unit	
Load	Fr1 - Fr2	pound force	Lbs	Newton	N	1 Lbs = 4.448 N
Distance			Inch	Millimetro	mm	1 Inch = 24.4 mm
Power	P.	horsepower	hp	Chilovatt-ora	Kw	1 hp = 0.7457 Kw
Torque	T.	pound force inch	inch-Lbs	Newton-metro	Nm	1 Inch-Lbs = 0.113 Nm
Weight		pound	Lb	Chilogrammo	Kg	1 Lb = 0.454 Kg
Volume		Pint	Pint	Litro	l	1 Pint = 0.47 l

3.0 - Wormgear performances - at 1750 rpm

Model	Ratio	Output speed	Efficiency	Output torque		Input Power		Input radial Load		Output radial Load		Thermal capacity		Weight		IEC			NEMA		
		n ₂ min ⁻¹	RD %	T _{2M} in-lbs Nm	P ₁ hp kW	Fr ₁ lbs N	Fr ₂ lbs N	P _{tn} hp kW	lb Kg	lb Kg	lb Kg	lb Kg	lb Kg	lb Kg	lb Kg	lb Kg	lb Kg	lb Kg	lb Kg		
UMI 40	7	250	83	305	35	1.46	1.09	47.3	211	183.7	817	1.31	0.98	4.63	2.10	56 B5	63 B5 B14	71 B5 B14	48 C	56 C	
	10	175	82	347	39	1.19	0.89	47.3	211	219.9	978	1.18	0.88								
	15	117	78	350	40	0.84	0.62	47.3	211	261.0	1161	0.98	0.73								
	20	88	74	310	35	0.59	0.44	47.3	211	290.2	1291	0.83	0.62								
	28	63	68	361	41	0.53	0.39	47.3	211	324.3	1443	0.68	0.51								
	40	44	61	336	38	0.38	0.29	47.3	211	360.5	1603	0.56	0.42								
	49	36	58	319	36	0.31	0.23	47.3	211	381.0	1695	0.52	0.39								
	56	31	56	301	34	0.27	0.20	47.3	211	394.6	1755	0.48	0.36								
	70	25	49	237	27	0.19	0.15	47.3	211	417.2	1856	0.42	0.31								
	80	22	46	219	25	0.17	0.13	47.3	211	430.7	1916	0.40	0.30								
100	18	47	237	27	0.14	0.11	47.3	211	453.4	2017	0.40	0.30									
UMI 50	7	250	84	562	64	2.66	1.98	68.3	304	257.9	1147	2.04	1.52	8.38	3.80	63 B5 B14	71 B5 B14	80 B5 B14	48 C	56 C	
	10	175	83	606	69	2.05	1.53	68.3	304	292.3	1300	1.81	1.35								
	15	117	81	633	72	1.46	1.09	68.3	304	337.0	1499	1.64	1.22								
	20	88	77	617	70	1.12	0.84	68.3	304	372.8	1658	1.35	1.01								
	28	63	71	668	76	0.94	0.70	68.3	304	419.6	1866	1.09	0.81								
	40	44	67	679	77	0.71	0.53	68.3	304	475.5	2115	0.95	0.71								
	49	36	64	604	68	0.54	0.40	68.3	304	510.6	2271	0.89	0.66								
	56	31	61	580	66	0.47	0.35	68.3	304	535.1	2380	0.82	0.61								
	70	25	57	540	61	0.38	0.28	68.3	304	578.7	2574	0.74	0.55								
	80	22	53	489	55	0.32	0.24	68.3	304	606.5	2698	0.67	0.50								
100	18	50	438	50	0.25	0.18	68.3	304	655.9	2918	0.63	0.47									
UMI 63	7	250	85	949	107	4.48	3.34	89.8	400	270.2	1202	2.90	2.16	13.2	6.0	71 B5 B14	80 B5 B14	90 B5 B14	56 C	140 C	
	10	175	83	1042	118	3.49	2.61	89.8	400	306.6	1364	2.72	2.03								
	15	117	81	1086	123	2.51	1.87	89.8	400	353.9	1574	2.32	1.73								
	20	88	78	1133	128	2.03	1.52	89.8	400	391.9	1743	2.01	1.50								
	28	63	72	1128	128	1.56	1.17	89.8	400	441.4	1964	1.60	1.19								
	40	44	68	1213	137	1.24	0.93	89.8	400	500.8	2228	1.41	1.05								
	49	36	65	1047	118	0.91	0.68	89.8	400	538.1	2394	1.29	0.96								
	56	31	63	1067	121	0.84	0.63	89.8	400	564.2	2510	1.22	0.91								
	70	25	59	985	111	0.66	0.49	89.8	400	610.6	2716	1.10	0.82								
	80	22	57	925	105	0.57	0.43	89.8	400	640.1	2847	1.03	0.77								
100	18	53	834	94	0.44	0.33	89.8	400	692.7	3081	0.94	0.70									
UMI 75	7	250	85	1684	190	7.88	5.87	128.5	572	399.2	1776	3.55	2.65	13.2	6.0	80 B5 B14	90 B5 B14	100 112 B5 B14	56 C	140 C	180 C
	10	175	83	1821	206	6.03	4.50	128.5	572	457.8	2036	3.23	2.41								
	15	117	81	1910	216	4.37	3.26	128.5	572	534.9	2380	2.74	2.04								
	20	88	78	1817	205	3.22	2.40	128.5	572	597.4	2657	2.43	1.81								
	28	63	72	2120	240	2.90	2.17	128.5	572	679.8	3024	1.88	1.40								
	40	44	68	1916	217	1.94	1.44	128.5	572	779.6	3468	1.66	1.24								
	49	36	65	1834	207	1.58	1.18	128.5	572	842.8	3749	1.50	1.12								
	56	31	63	1666	188	1.27	0.95	128.5	572	887.1	3946	1.49	1.11								
	70	25	59	1633	185	1.08	0.81	128.5	572	966.5	4299	1.30	0.97								
	80	22	57	1549	175	0.94	0.70	128.5	572	1017	4525	1.21	0.90								
100	18	53	1418	160	0.74	0.55	128.5	572	1108	4930	1.11	0.83									



3.0 - Wormgear performances - at 1750 rpm

Model	Ratio	Output speed	Efficiency	Output torque		Input Power		Input radial Load		Output radial Load		Thermal capacity		Weight		IEC			NEMA		
		n_2 min ⁻¹	RD %	T_{2M} in-lbs Nm		P_1 hp kW		Fr_1 lbs N		Fr_2 lbs N		P_{tn} hp kW		lb	Kg						
UMI 90	7	250	86	2633	298	12.2	9.10	174	774	507.2	2256	5.62	4.19	30.9	14.0	80 B5 B14	90 B5 B14	100 112 B5 B14	56 C	140 C	180 C
	10	175	85	2868	324	9.42	7.02	174	774	583.3	2595	5.24	3.91								
	15	117	82	3078	348	6.96	5.19	174	774	683.8	3042	4.49	3.35								
	20	88	81	3171	358	5.50	4.10	174	774	765.5	3405	4.25	3.17								
	28	63	75	3452	390	4.62	3.44	174	774	873.4	3885	3.27	2.44								
	40	44	72	3394	384	3.31	2.47	174	774	1004	4468	2.91	2.17								
	49	36	68	3084	349	2.58	1.93	174	774	1087	4838	2.71	2.02								
	56	31	69	2885	326	2.09	1.56	174	774	1146	5098	2.67	1.99								
	70	25	64	2595	293	1.62	1.21	174	774	1250	5564	2.39	1.78								
	80	22	61	2498	282	1.42	1.06	174	774	1318	5863	2.21	1.65								
100	18	57	2272	257	1.12	0.84	174	774	1438	6399	1.98	1.48									



US Un

UMI 110	7	250	86	3928	444	18.2	13.6	217	967	582.6	2592	7.98	5.95	48.5	22.0	90 B5	100 112 B5 B14	132 B5	140 C	180 C	210 C
	10	175	85	4430	501	14.5	10.8	217	967	672.4	2991	7.46	5.56								
	15	117	82	4428	500	10.0	7.47	217	967	791.5	3521	6.21	4.63								
	20	88	81	5125	579	8.80	6.56	217	967	888.5	3952	5.89	4.39								
	28	63	76	4742	536	6.26	4.67	217	967	1017	4525	4.47	3.33								
	40	44	73	5326	602	5.13	3.82	217	967	1174	5222	4.00	2.98								
	49	36	70	4857	549	3.97	2.96	217	967	1274	5666	3.61	2.69								
	56	31	70	3892	440	2.79	2.08	217	967	1344	5979	3.61	2.69								
	70	25	65	4049	458	2.48	1.85	217	967	1470	6540	3.11	2.32								
	80	22	63	4122	466	2.28	1.70	217	967	1551	6900	2.94	2.19								
100	18	58	3733	422	1.79	1.33	217	967	1697	7548	2.60	1.94									

RMI 130	7	250	88	5795	655	26.3	19.6	343	1528	778.8	3464	12.1	9.05	106	48.0	100 112 B5	132 B5	180 C	210 C
	10	175	87	6521	737	20.9	15.6	343	1528	897.3	3991	11.2	8.35						
	15	117	84	6952	786	15.4	11.5	343	1528	1054	4688	9.09	6.78						
	20	88	83	7592	858	12.8	9.52	343	1528	1182	5256	8.57	6.39						
	28	63	76	6687	756	8.77	6.54	343	1528	1350	6007	6.06	4.52						
	40	44	73	7528	851	7.17	5.35	343	1528	1556	6920	5.39	4.02						
	49	36	71	7348	830	5.94	4.43	343	1528	1686	7501	4.85	3.62						
	56	31	70	6811	770	4.87	3.63	343	1528	1778	7909	4.69	3.50						
	70	25	68	6804	769	4.02	3.00	343	1528	1943	8642	4.41	3.29						
	80	22	65	6527	738	3.50	2.61	343	1528	2049	9113	4.05	3.02						
100	18	60	5806	656	2.69	2.01	343	1528	2238	9957	3.55	2.65							

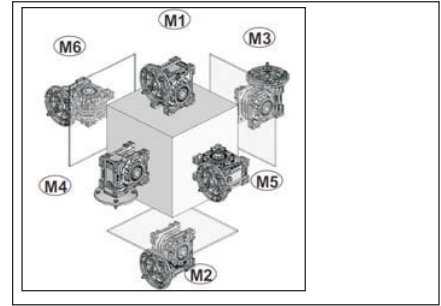
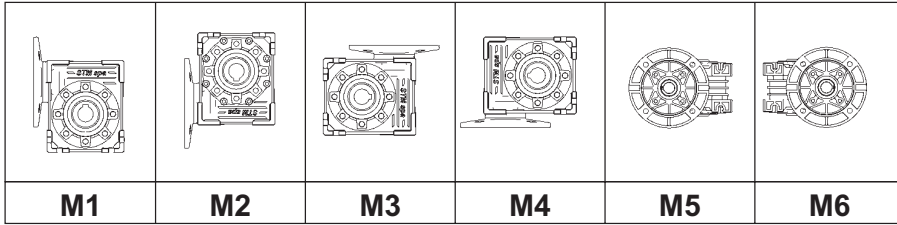
RMI 150	7	250	88	8771	991	39.7	29.6	467	2078	1180	5251	16.6	12.4	170	77.0	100 112 B5	132 B5	160 B5	180 C	210 C	250 C
	10	175	87	9714	1098	31.2	23.2	467	2078	1342	5968	15.4	11.5								
	15	117	85	10499	1186	23.0	17.1	467	2078	1552	6903	13.3	9.92								
	20	88	84	11860	1340	19.7	14.7	467	2078	1721	7654	12.5	9.30								
	28	63	76	10632	1201	13.9	10.4	467	2078	1942	8637	8.31	6.20								
	40	44	75	11661	1318	10.8	8.06	467	2078	2207	9817	7.98	5.95								
	49	36	72	11019	1245	8.75	6.52	467	2078	2374	10559	7.39	5.51								
	56	31	73	10922	1234	7.43	5.54	467	2078	2490	11077	7.39	5.51								
	70	25	68	9904	1119	5.83	4.35	467	2078	2698	12001	6.05	4.51								
	80	22	67	9523	1076	4.98	3.71	467	2078	2830	12591	5.87	4.38								
100	18	63	8641	976	3.83	2.85	467	2078	3067	13641	5.26	3.92									

RMI 180	7	250	89	12269	1386	55.0	41.0	532	2365	1218	5418	25.3	18.9	287	130	132 B5	160 B5	180 B5	250 C	280 C
	10	175	88	13586	1535	43.1	32.1	532	2365	1403	6240	23.2	17.3							
	15	117	86	14858	1679	32.1	24.0	532	2365	1647	7326	19.9	14.8							
	20	88	84	16874	1907	28.0	20.9	532	2365	1846	8210	17.4	13.0							
	28	63	79	15511	1753	19.5	14.5	532	2365	2109	9381	13.2	9.9							
	40	44	75	16650	1881	15.5	11.6	532	2365	2429	10804	11.1	8.3							
	49	36	74	17347	1960	13.4	9.96	532	2365	2632	11708	10.7	8.0							
	56	31	73	17567	1985	12.0	8.91	532	2365	2775	12343	10.3	7.7							
	70	25	69	15892	1796	9.18	6.85	532	2365	3031	13484	8.69	6.5							
	80	22	68	15206	1718	7.86	5.86	532	2365	3196	14216	8.44	6.3							
100	18	64	13601	1537	5.98	4.46	532	2365	3491	15529	7.52	5.6								



4.0 - Lubrification

Mounting positions UI-UMII



Mounting positions RI-RMI

S F. P							
		M1	M2	M3	M4	M5	M6

- ▽ Breather plug
- Level plug
- ▼ Drain plug



4.0 - Lubrification

General information

The use of synthetic oil is recommended. (see details in Chapter A, paragraph 1.2 and 1.6). Tab. 2.2.1 shows the quantities of oil required for correct worm gearbox performance.

Ordering phase requirements and state of supply

U - Size - 40-50-63-75

Worm gearboxes sizes 40, 50, 63, 75, come supplied with ISO 320 viscosity synthetic oil.

It is not necessary to specify mounting positions with these worm gearboxes.

U - Size - 90-110



Worm gearboxes sizes 90, 110 come supplied with ISO 320 viscosity synthetic oil.

It is necessary to specify the mounting position for these worm gearboxes.

R - Size 130, 150, 180

Worm gearboxes require oil lubrication but are supplied without lubricant that can be requested separately.

It is necessary to specify the mounting position for these worm gearboxes

Series	Typcon	Sizes	Lubricant Quantity lb (kg)						No. of plugs	Mounting position	State of supply
			Mounting Positions								
			M1	M2	M3	M4	M5	M6			
	UI-UMI	40	0.154 (0.070)						1	Not necessary	Gearboxes supplied with synthetic oil
	UI	50	0.375 (0.170)						1		
	UMI		0.287 (0.130)								
	UI	63	0.772 (0.350)						1		
	UMI		0.529 (0.240)								
	UI-UMI	75	0.992 (0.450)						1	Necessary	
	UI-UMI	90	2.205 (1.000)	1.323 (0.600)				1			
	UI-UMI	110	3.527 (1.600)	2.866 (1.300)				1			
	RI-RMI	130	9.039 (4.1)	6.393 (2.9) ⁽¹⁾				3 (S,I,D) 4 (FL)	Necessary	Gearboxes supplied ready for oil lubrication	
	RI-RMI	150	13.228 (6.0)	11.023 (5.0) ⁽¹⁾				3 (S,I,D) 4 (FL)			
	RI-RMI	180	24.251 (11.0)	19.842 (9.0) ⁽¹⁾				3 (S,I,D) 4 (FL,F1)			

(1) Indicative quantities, check the oil sight glass during filling.

U - Serie

A) When ordering size 90-110 worm gearboxes it is necessary to indicate the mounting position whether the worm gearbox is requested with oil or without lubricant. Particular attention should be paid to worm gearboxes with a shielded bearing mounted in positions M3 and M4.

N.B. If the mounting position is not specified in the order, the worm gearbox supplied will have plugs pre-arranged for

R - Serie

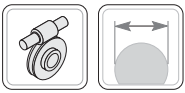
B) When ordering size 130, 150, 180 worm gearboxes it is necessary to indicate the mounting position whether the worm gearbox is requested with oil or without lubricant. Particular attention should be paid to worm gearboxes with a shielded bearing mounted in positions M3 and M4.

N.B. If the mounting position is not specified in the order, the worm gearbox supplied will have plugs pre-arranged for position M1.

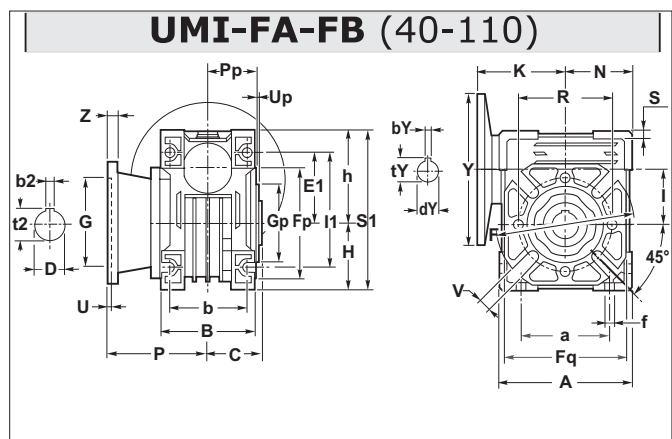
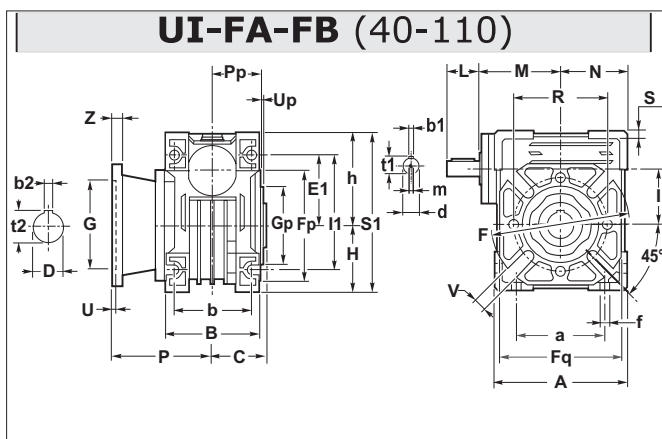
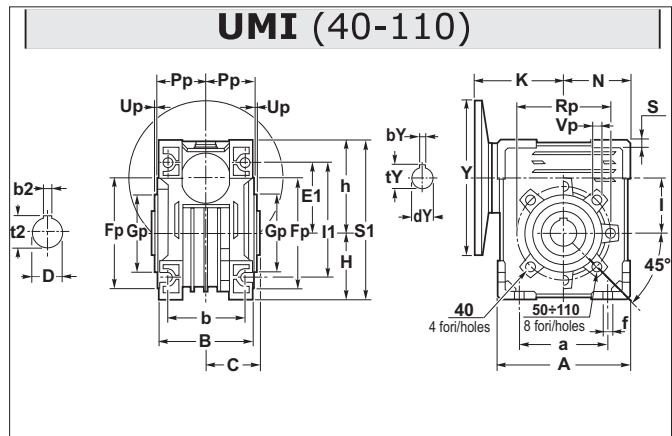
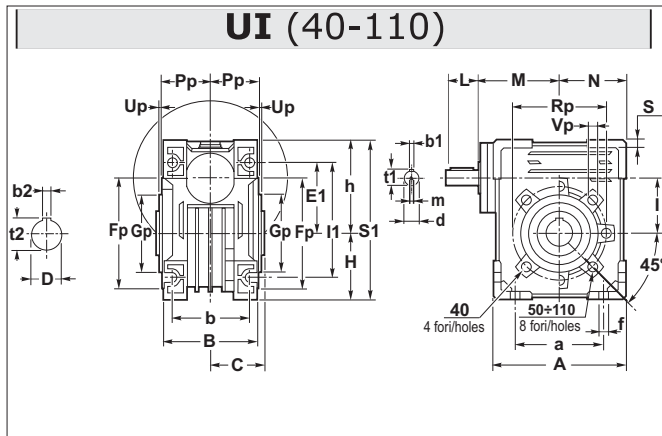
C) For size 130, 150, 180 worm gearboxes in position M1 do not refer to the oil level sight glass during filling but keep to the quantities indicated by the manufacturer.

D) A breather plug is supplied only with worm gearboxes that have more than one oil plug.

E) The gearboxes that need a specific assembling position have the indication of it on the label of the gearbox.



5.0 - Dimensions - UI-UMI



	A	a	B	b	C	D H7 inch	D H7 mm	d j6	E1	f	h	H	I	I1	L	M	m	N	S	S1
40	3.937	2.756	2.795	2.362	1.535	3/4"	18	0.433	2.165	0.256	2.815	1.969	1.575	3.543	0.866	2.520	M5	1.969	0.236	4.783
50	4.724	3.150	3.346	2.756	1.811	1"	25	0.551	2.520	0.335	3.307	2.362	1.969	4.094	1.181	2.913	M6	2.362	0.276	5.669
63	5.669	3.937	4.055	3.346	2.205	1 1/8"	25	0.709	3.150	0.335	4.016	2.835	2.480	5.118	1.772	3.780	M6	2.835	0.315	6.850
75	6.772	4.724	4.409	3.543	2.362	1 1/4"	30	0.945	3.661	0.453	4.685	3.386	2.953	6.024	1.969	4.134	M8	3.386	0.394	8.071
90	8.110	5.512	5.118	3.937	2.756	1 3/8"	35	0.945	4.016	0.512	5.315	4.055	3.543	6.772	1.969	4.921	M8	4.055	0.433	9.370
110	10.039	6.693	5.669	4.528	3.051	1 5/8"	42	1.102	4.921	0.551	6.594	5.020	4.331	8.150	2.362	5.591	M8	5.020	0.571	11.614

	Fp	Gp (e8)	Pp	Rp	Up	Vp
40	3.425	2.362	1.398	2.953	0.098	M6
50	3.937	2.756	1.713	3.346	0.098	M8
63	4.331	3.150	2.087	3.740	0.118	M8
75	5.512	3.740	2.244	4.528	0.118	M8
90	6.299	4.331	2.638	5.118	0.118	M10
110	7.874	5.118	2.913	6.496	0.138	M10

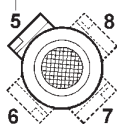
		F	Fq	G (F8)	P	R	U	V	Z
40	FA	4.331	3.740	2.362	2.638	2.953	0.157	0.354	0.276
	FB	4.331	3.740	2.362	3.819	2.953	0.157	0.354	0.276
50	FA	4.921	4.331	2.756	3.543	3.346	0.197	0.433	0.354
	FB	4.921	4.331	2.756	4.724	3.346	0.197	0.433	0.354
63	FA	7.087	5.591	4.528	3.228	5.906	0.236	0.433	0.394
	FB	7.087	5.591	4.528	4.409	5.906	0.236	0.433	0.394
75	FA	7.874	6.693	5.118	4.370	6.496	0.236	0.551	0.512
	FB	6.299	6.299	4.331	3.543	5.118	0.197	0.433	0.472
90	FA	8.268	7.874	5.984	4.370	6.890	0.236	0.551	0.512
	FB	9.843	8.268	7.087	4.803	8.465	0.236	0.551	0.630
110	FA	11.024	10.236	6.693	5.157	9.055	0.236	0.551	0.630



5.0 - Dimensions - UI-UMI

		Unit	d	G	R	F	K	ir													
								7	10	15	20	28	40	49	56	70	80	100			
UMI 40	N	48C	inch	1/2"	3"	3 3/4"	5 5/8"	3.228													
		56C	inch	5/8"	4 1/2"	5 7/8"	6 1/2"	3.327													
	IEC	71 B5	mm	14	110	130	160	2.776													
		71 B14		14	70	85	105														
		63 B5		11	95	115	140														
		63 B14*		11	60	75	90														
	56B5	mm	9	80	100	120															
UMI 50	N	48C	inch	1/2"	3"	3 3/4"	5 5/8"	3.386													
		56C	inch	5/8"	4 1/2"	5 7/8"	6 1/2"	3.740													
	IEC	80 B5	mm	19	130	165	200	3.169													
		80 B14		19	80	100	120														
		71 B5		14	110	130	160														
		71 B14*		14	70	85	105														
	63 B5	mm	11	95	115	140															
	63B14*	mm	11	60	75	90															
UMI 63	N	56C	inch	5/8"	4 1/2"	5 7/8"	6 1/2"	3.957													
		140C	inch	7/8"	4 1/2"	5 7/8"	6 1/2"														
	IEC	90 B5	mm	24	130	165	200	3.740													
		90 B14		24	95	115	140														
		80 B5		19	130	165	200														
		80 B14		19	80	100	120														
	71 B5	mm	14	110	130	160															
	71 B14*	mm	14	70	85	105															
UMI 75	N	56C	inch	5/8"	4 1/2"	5 7/8"	6 1/2"	4.843													
		140C	inch	7/8"	4 1/2"	5 7/8"	6 1/2"														
		(1) 180C	inch	1 1/8"	7 1/4"	8 1/2"	9"														
	IEC	(1) 100/112 B5	mm	28	180	215	250	4.724													
		(1) 100/112 B14		28	110	130	160	4.646													
		90 B5		24	130	165	200	4.724													
	90 B14	mm	24	95	115	140	4.646														
	80 B5	mm	19	130	165	200															
	80 B14*	mm	19	80	100	120															
UMI 90	N	56C	inch	5/8"	4 1/2"	5 7/8"	6 1/2"	5.236													
		140C	inch	7/8"	4 1/2"	5 7/8"	6 1/2"														
		(1) 180C	inch	1 1/8"	7 1/4"	8 1/2"	9"														
	IEC	(1) 100/112 B5	mm	28	180	215	250	5.118													
		(1) 100/112 B14		28	110	130	160	5.039													
		90 B5		24	130	165	200														
	90 B14	mm	24	95	115	140															
	80 B5	mm	19	130	165	200															
	80 B14	mm	19	80	100	120															
UMI 110	N	140C	inch	7/8"	4 1/2"	5 7/8"	6 1/2"	5.984													
		180C	inch	1 1/8"	7 1/4"	8 1/2"	9"														
		(1) 210C	inch	1 3/8"	7 1/4"	8 1/2"	9"														
	IEC	(1) 132 B5	mm	38	230	265	300	6.004													
		100/112 B5		28	180	215	250	5.984													
		100/112 B14		28	110	130	160	6.024													
	90 B5	mm	24	130	165	200	5.984														

STANDARD

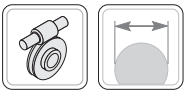


Note.

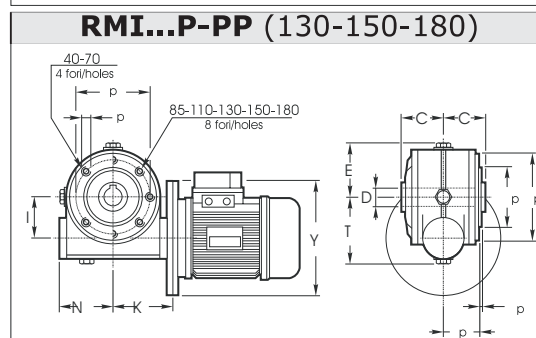
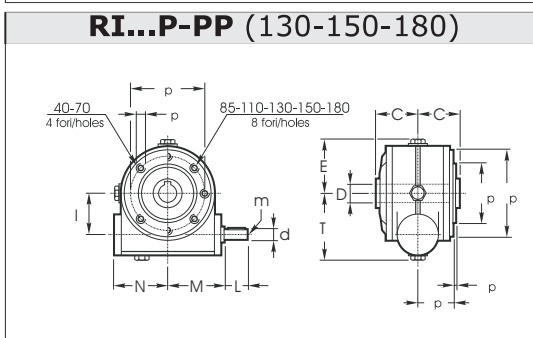
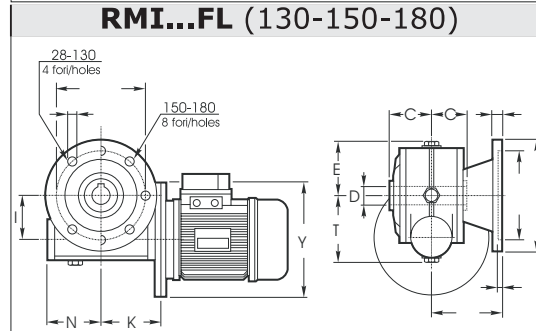
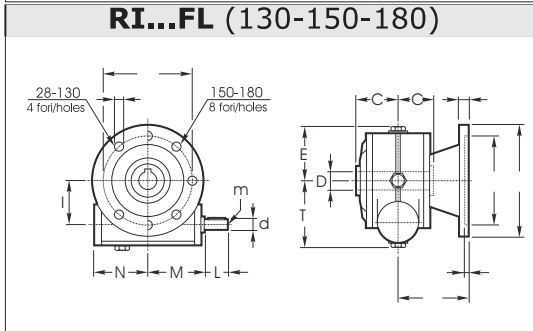
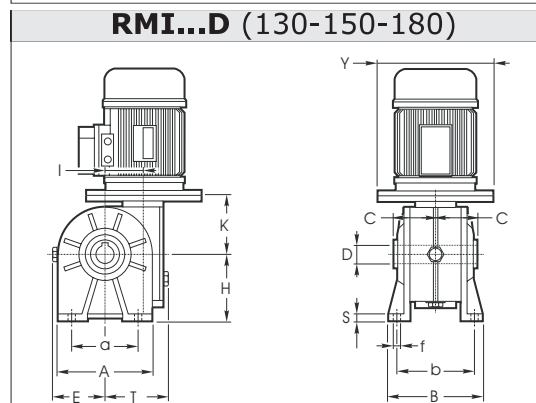
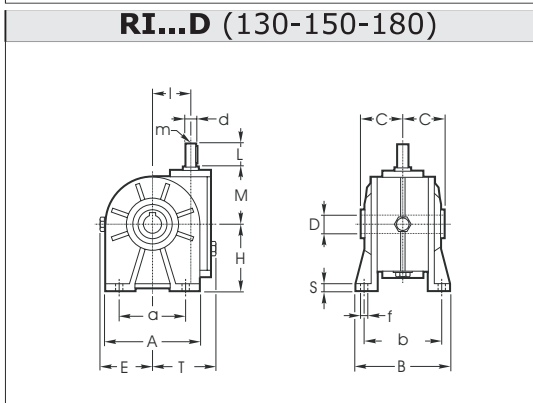
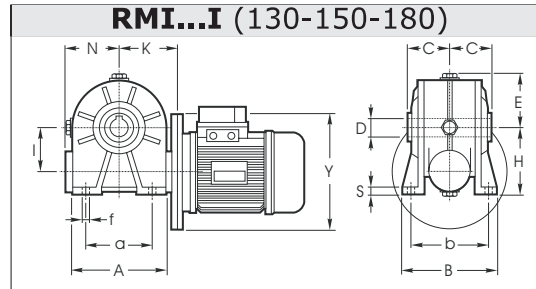
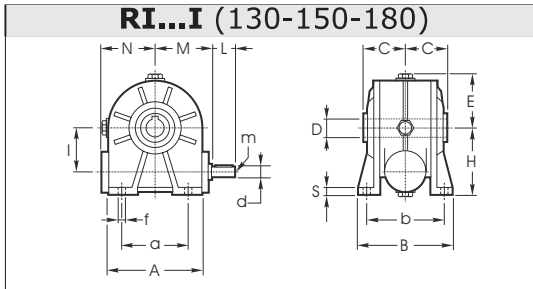
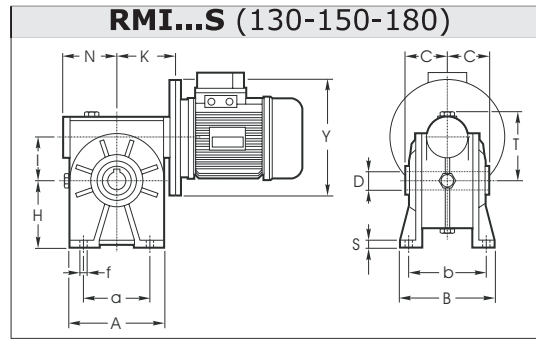
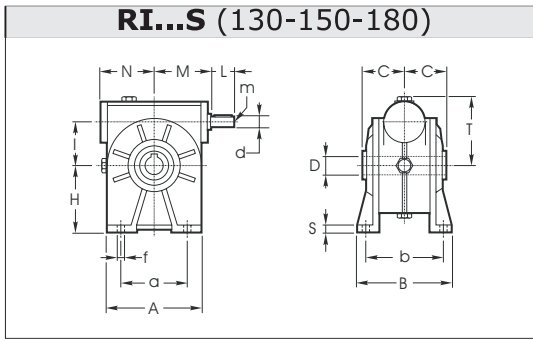
The standard configuration for the 4 holes is 45° to the axes (like an x: see page A.3).

For the B14 flanges marked with (*) the holes to fit the motor are on the axes (like a +). Therefore we suggest to check the dimensions of the terminal board of the motor as it will be at 45° to the axes. Please, choose the terminal board position referring to the following sketch (in which N° 5 is the standard position).

(1) **WARNING!** - Look at Manual Use and maintenance



5.0 - Dimensions - RI-RMI





5.0 - Dimensions - RI-RMI

	A	a	B	b	C	D _{H7} ich	D _{H7} mm	d _{j6}	E	f	H	I	L	M	m	N	S	T
130	11.260	9.252	9.055	7.480	3.543	1 3/4"	48	1.496	6.063	0.591	7.874	5.118	3.150	6.535	M10	6.358	0.748	7.677
150	13.228	10.236	9.843	8.268	4.134	2"	55	1.654	7.008	0.748	9.055	5.906	3.937	7.677	M12	7.441	0.787	8.819
180	15.748	12.205	12.598	10.236	4.724	2 3/8"	65	1.890	8.268	0.866	10.433	7.087	4.331	9.252	M14	9.134	0.866	10.433

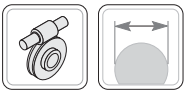
	Fp	Gp _{e8}	Pp	Rp	Up	Vp
130	9.528	7.087	3.425	8.465	0.197	M12
150	9.843	7.087	4.016	8.465	0.197	M14
180	11.811	9.055	4.606	10.433	0.197	M16

	F	G _{H8}	P	R	U	V	Z
130	FL	11.811	9.055	5.906	10.433	0.197	0.709
150	FL	13.780	9.843	6.299	11.811	0.236	0.709
180	FL	15.748	11.811	7.087	13.780	0.256	0.866
180	F2	15.748	11.811	5.906	13.780	0.256	0.866

		Unit	d	G	R	F	K	ir													
								7	10	15	20	28	40	49	56	70	80	100			
RMI 130	N	180C	inch	1 1/8"	7 1/4"	8 1/2"	9"	6.634													
		210C	inch	1 3/8"	7 1/4"	8 1/2"	9"														not available
	IEC	132 B5	mm	38	230	265	300	6.417													
		100/112 B5	mm	28	180	215	250														not available
RMI 150	N	180C	inch	1 1/8"	7 1/4"	8 1/2"	9"	7.657													
		210C	inch	1 3/8"	7 1/4"	8 1/2"	9"														
		250C	inch	1 5/8"	7 1/4"	8 1/2"	10"														not available
	IEC	160 B5	mm	42	250	300	350	7.717													
		132 B5	mm	38	230	265	300		7.441												
		100/112 B5	mm	28	180	215	250														
RMI 180	N	250C	inch	1 5/8"	7 1/4"	8 1/2"	10"	9.508												not available	
		280C	inch	1 7/8"	9"	10 1/2"	11 1/4"														not available
	IEC	180B5	mm	48	250	300	350	9.213													
		160B5	mm	42	250	300	350														not available
		132B5	mm	38	230	265	300														not available



US Un

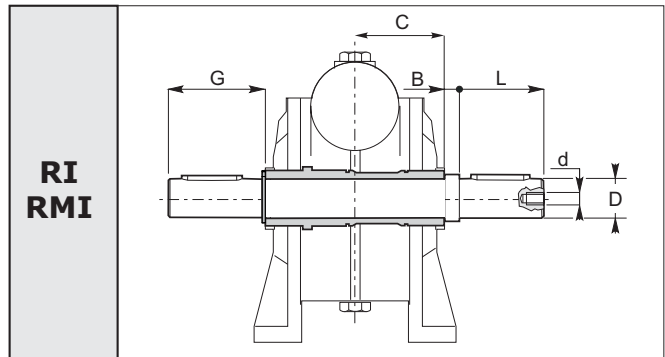
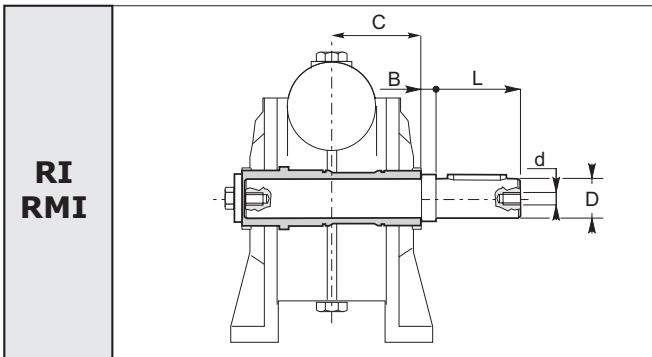
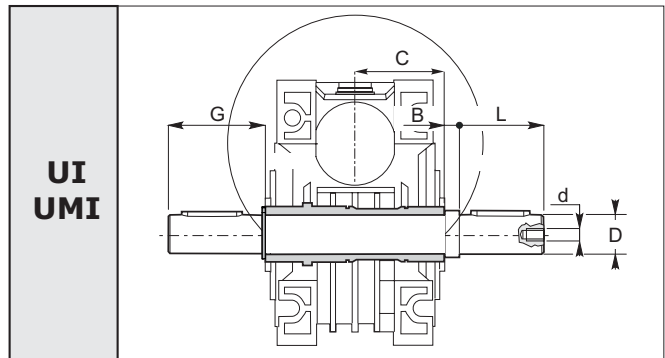
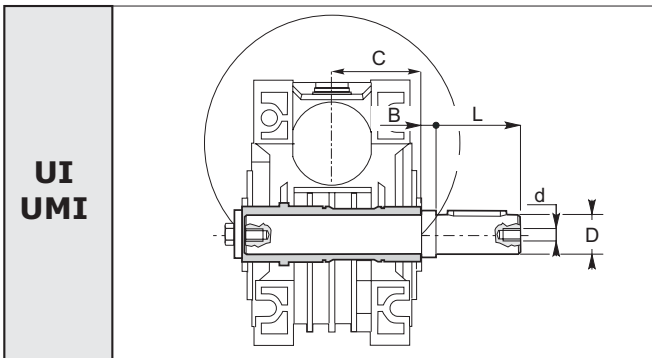
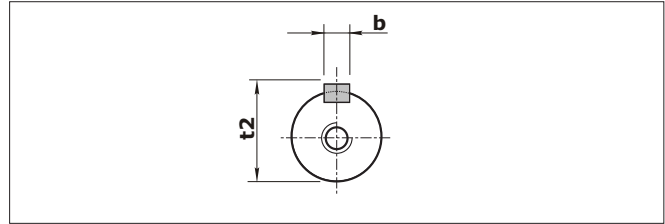
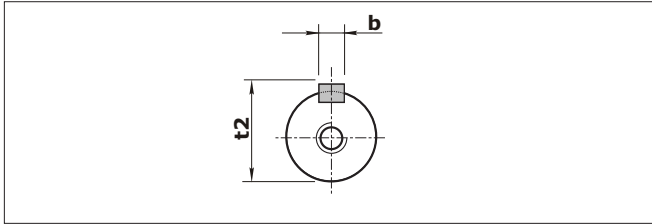


6.0 - OPT - ACC. - Accessories - Options

AL AL - SINGLE OUTPUT SHAFTS

**AL
BU** AL_BU - DOUBLE OUTPUT SHAFTS

All worm gearboxes are supplied with hollow outputshaft. Output shafts as shown in the size drawings can be supplied upon request. Sizes of feathers comply with standards UNI 6604-69.



	40		50		63		75		90		110		130		150		180	
	Metric	Inch	Metric	Inch	Metric	Inch	Metric	Inch	Metric	Inch	Metric	Inch	Metric	Inch	Metric	Inch	Metric	Inch
B	10	0,120	10	0,140	10	0,140	10	0,130	10	0,180	10	0,590	20	0,200	20	0,550	20	0,550
C	39	1,535	46	1,811	56	2,205	60	2,362	0	2,756	77,5	3,051	90	3,543	105	4,134	120	4,724
D	18	3/4"	25	1"	25	1 1/8"	30	1 1/4"	35	1 3/8"	42	1 5/8"	48	1 3/4"	55	2"	65	2 3/8"
tolerance D	g6	g6	g6	g6	g6	g6	g6	g6	g6	g6	g6	g6	g6	g6	g6	g6	g6	g6
d	M8	1/4 -20	M8	3/8 -16	M8	3/8 -16	M8	1/2 -13	M10	1/2 -13	M10	5/8 -11	M10	5/8 -11	M12	3/4 -10	M14	3/4 -10
G	50	2,090	55	2,110	70	2,500	70	2,890	90	3,330	110	4,130	130	3,740	130	4,570	150	5,270
L	40	1,970	45	1,970	60	2,360	60	2,760	80	3,150	100	3,540	110	3,540	110	4,020	130	4,720
t2	20,5	0,830	28	1,110	28	1,230	33	1,360	38	1,510	45	1,790	48,5	1,920	53,5	2,220	69	2,640
b	6	0,188	8	0,250	8	0,250	8	0,250	10	0,313	12	0,375	14	0,375	14	0,500	18	0,625

ATTENTION: The output shaft is available only for standard hollow shaft diameter.

NOTE

All output shafts are supplied in kit complete with feathers, washers and screws (as well as snap rings for the double extended shaft).

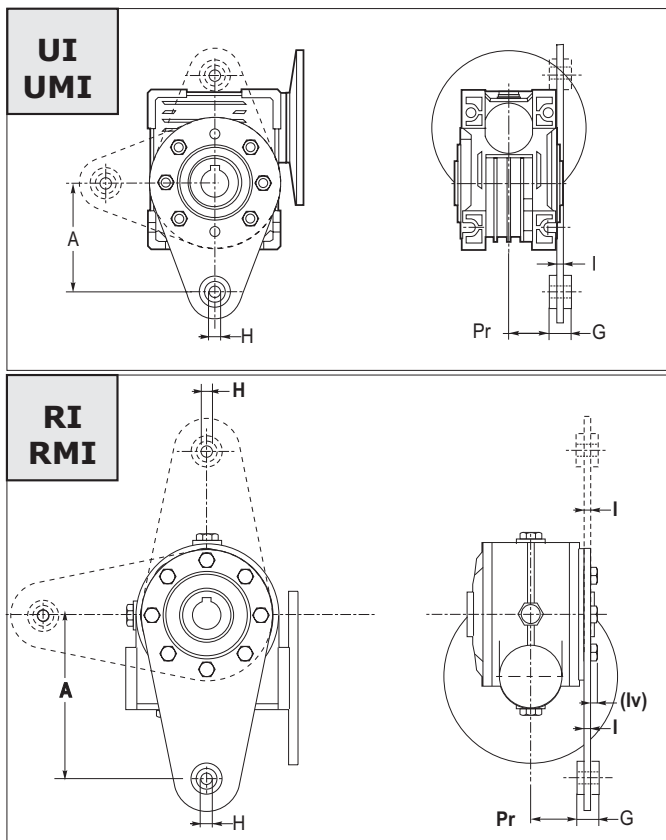


6.0 - OPT - ACC. - Accessories - Options

**BRS
VKL**

BRS_VKL - Torque arm - Single_with VKL_bushing

If the gearbox shall be shaft mounted as an extra part there is also available a torque arm.

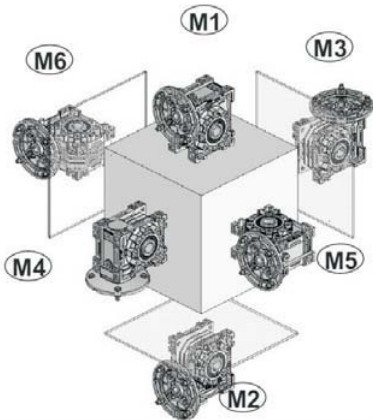


UI - UMI	40	50	63	75	90	110	130	150	180
A	3,937	3,937	5,906	7,874	7,874	9,843	11,811	13,780	15,748
G	0,591	0,591	0,787	0,984	0,984	0,984	1,181	1,181	1,378
H	0,394	0,394	0,394	0,787	0,787	0,787	0,984	0,984	1,378
I	0,157	0,157	0,236	0,236	0,236	0,236	0,236	0,236	0,394
Pr	1,181	1,496	1,811	1,870	2,264	2,539	2,953	3,543	4,114

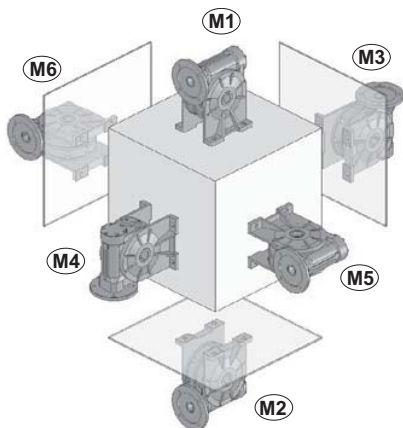


6.0 - Mounting Position

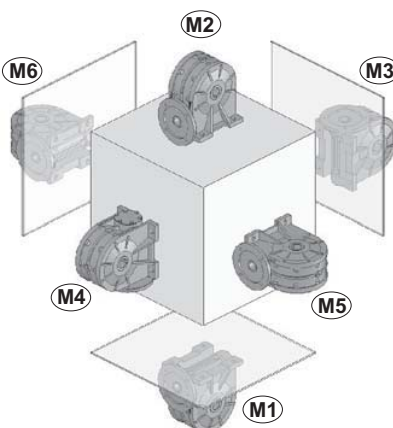
U



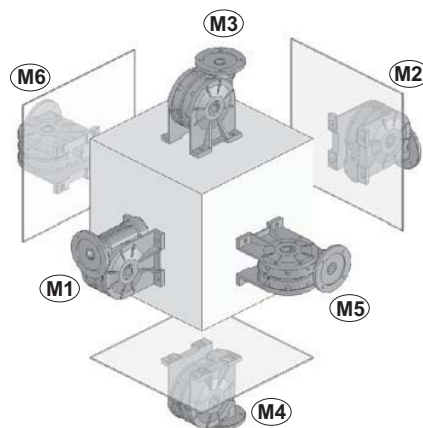
R...S



R...I

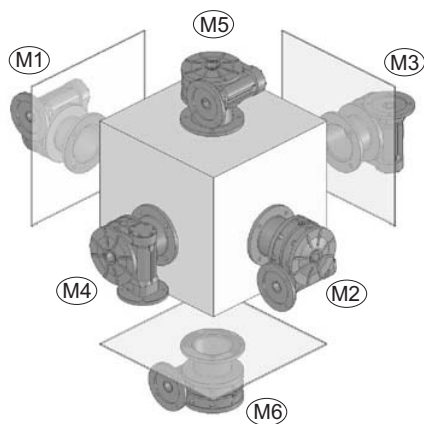


R...D



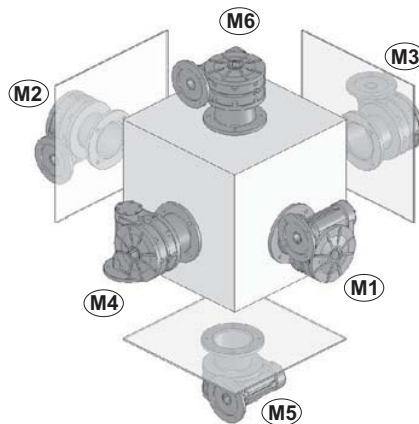
P-PP - FL - F.

(standard)



P - FL - F.

(SIN)





6.0 - Managing STM Catalog Revisions

Catalog Code

	CT 36_US		GB		0.2	
	<i>Identification Number</i>	<i>Language</i>			<i>Review</i>	
		GB –English				

1) Each STM catalogue is identified by a code printed on the last page and reported in the page footer. The last digit in the catalogue code identifies catalogue revision:

2) Latest updated catalogues are available on STM's web site. Changes are listed in the updates table attached to this document. Any pages including a change are identified by a higher revision number.

3) Pay attention to the symbol in the "Change Classification" column. This symbol signifies the category and significance of any changes

4) In the event the dimensions in the 2D – 3D drawing downloaded from our site differ from those indicated in the catalogue table, contact our Engineering.


















Warning

Check your catalogue revision status against the latest updates table.

Classification	Definition Change identifier	Symbol
<i>Key</i>	<i>Product issuance and marketing</i>	
<i>Major</i>	<i>Change affecting overall dimensions/delivery condition/product installation</i>	
<i>Minor</i>	<i>Change to translations/layout/captions</i>	

			<i>Updates made</i>	
<i>Paragraph</i>	<i>Page</i>	<i>Index – Updates</i>	<i>Description</i>	



	 PIEMONTE Strada del Cascinotto, 139/43B 10156 TORINO T: +39/011/22.38.463 F: +39/011/22.38.463 E-MAIL: info@labet.it	 LOMBARDIA Via Velleia, 1 20052 Monza (Mi) T: +39/039/83.79.41 F: +39/039/83.79.490 E-MAIL: sef@sefmotoriduttori.com
 SUD Via Ottaviano, 298/300 80040 San Gennaro Vesuviano (Na) T: +39/081/52.86.802 F: +39/081/52.86.803 E-MAIL: info@stmsud.it	 VENETO Via Manfredini, 54 45100 Loc. Granzette ROVIGO T: +39/0425/48.61.58 F: +39/0425/93.20.68 E-MAIL: stmveneto@stmspa.com	 SERVICE Via Enrico Fermi, 35 00044 Frascati (RM) T: +39/06/97.60.85.44 F: +39/06/97.60.85.45 E-MAIL: info@tecnodrivessrl.it
	 UKRAINE Belaia Tzerkov Yaroslava Mudrogo, ST66/13 09107 Region of Kiev T: +38/04463519369 F: +38/0446391037 E-MAIL: stm@stm.com.ua	 RUS Bolshaya Pochtovaya st. 30 105082 Mosca T: +74/957836809 F: +74/952672073 E-MAIL: ars@ttaars.ru
 AANDRIJFTECHNIEK NL Jan Vrijmanstraat, 12 1087MC, Amsterdam - The Netherlands T: + 31/20 3586361 F: +31/20 3586361 E-MAIL: stmaandrijftechnik@stmspa.com	 SWEDEN Stathogavagen, 48 60223 Norrkoping T: +46/11158340 F: +46/11158349 E-MAIL: info@stmSweden.se	 FINLAND Luoteisrinne, 5 02270 Espoo T: +35/8440674519 F: +35/8104256805 E-MAIL: info@stmfinland.fi
 DEUTSCHLAND Gewerbepark Markfeld 7a 83043 BAD AIBLING T: +49/8061/937680 F: +49/8061/9376829 E-MAIL: stmdeutschland@stmspa.com	 POWER TRANSMISSION UK UNIT 1 OASIS BUSINESS PARK ROAD ONE, WINSFORD Industrial Est - CW7 3RY - WINSFORD T: +44/1606/557200 F: +44/1606/557396 E-MAIL: info@stmuk.co.uk	 IBERIA Contrada Nacional 121, km 39,400 31390 Olite Navarra T: +34/948712017 F: +34/948712153 E-MAIL: martinenas@martinenasl.es
 SCHWEIZ Bösch 27 6331 Hünenberg SVIZZERA T: 0041 41 7832970 F: 0041 41 7832971 E-MAIL: info@eurodrives.ch	 TURKIYE 10026 - IZMIR Str. No: 54 AOSB CIGLI T: 0090.232.328 36 39 F: 0090.232.328 36 40 E-MAIL: info@novaguc.com	



Vi invitiamo pertanto a contattare il ns ufficio commerciale per qualsiasi ulteriore informazione al fine di comunicarVi il riferimento più idoneo e vicino alla Vs sede.

Please contact our Sales dept. for information about the nearest distributor to your premises.

Bitte setzen Sie sich mit unserer Verkaufsabteilung in Verbindung um Informationen bezüglich eines Haendler der sich in Ihrer Naehle befindet zu bekommen.



	<p>Rua Padre Raposo, 1293 Mooca (SP) T: +55/11/2605.1144 F: +55/11/2601.1559 E-MAIL: stmdobrasil@stmdobrasil.com</p>	<p>Langeri, 3525 (Santos Lugares) 1676 Buenos Aires T: +54/11/41.15.63.85 F: +54/11/47.57.05.12 E-MAIL: comercial@stmteam.com.ar</p>
<p>STM INDIA T: +91 99 42 559285 E-MAIL: k.saravanan@stmspa.com</p>	<p>13/97 Bayfield Road East Bayswater - VIC 3153 T: +61/397617355 F: +61/397617222 E-MAIL: pbeveridge@hmagroup.com.au</p>	<p>STM-AP (ASIA PACIFIC) PTE LTD 6 Penjuru Place #01-32 Penjuru Tech Hub, Singapore 608781 T: 65-6266 2022 F:65-6266 5955 E-MAIL: stm@stmap.com</p>
<p>STM Korea #104-216, 41, Yutongdanji 1-ro, Gangseo-gu, Busan, 618-899 Rep. of KOREA T: +82-01-8536-6469 - +82-70-8730-1238 F: +82-51-955-2250 E-MAIL: stmapkorea@gmail.com</p>	<p>Rm306, Blk A, Jingjiang Building, #35, Bagou Nan Rd, Haidian Dist. Beijing 100089, China T: 0086 10 8256 5319 F: 0086 10 8255 1142 E-MAIL: stm@stmchina.cn</p>	<p>22 Lorna Rd, Anderbolt, Boksburg North PO Box 6300, Dunswart, 1508 Tel: +27 10 010 6879 F: +27 86 461 5898 E-MAIL: anthony@stmsa.co.za</p>
	<p>STM RIDUTTORI MEXICO S.A. DE C.V T: +52 33 36150087 E-MAIL: info@stmexico.com.mx</p>	<p>3060 PLAZA DR. #107 19061 - GARNET VALLEY - PA T: 0016105580760 F: 0016505580762 E-MAIL: Info@youngpowertech.com</p>

Standard Line CT36_USGB0.2_02/16



Vi invitiamo pertanto a contattare il ns ufficio commerciale per qualsiasi ulteriore informazione al fine di comunicarVi il riferimento più idoneo e vicino alla Vs sede.
Please contact our Sales dept. for information about the nearest distributor to your premises.
 Bitte setzen Sie sich mit unserer Verkaufsabteilung in Verbindung um Informationen bezüglich eines Haendler der sich in Ihrer Naehle befindet zu bekommen.



STM S.p.A.
Headquarter

Via del Maccabreccia, 39
40012 Lippo di Calderara di Reno (BO)
Tel. +39 051 37 65 711
Fax +39 051 64 66 178
www.stmspa.com - info@stmspa.com



Riduttori

GSM S.p.A.

Via Malavolti, 48
41100 Modena - Italy
Tel. +39 051 37 65 711
Fax +39 051 64 66 178
www.stmspa.com - info@stmspa.com

